

BERNSTEIN Series CP and CPS polyester enclosures are produced from highgrade glass fibre-reinforced polyester. Thanks to their reduced surface resistance ( $R_o < 109 \text{ Ohm}$ ), the black polyester enclosures meet the requirements for Ex applications. Polyester enclosures are therefore particularly suitable for accepting and encapsulating electrical and electronic components as well as control components in harsh environments or potentially explosive atmospheres (see Page 14). All enclosures achieve protection class IP 66 in accordance with DIN EN 60529 (optionally IP 67).

Corresponding to their size, BERNSTEIN polyester enclosures feature M4 or M6 mounting elements in the enclosure body. These galvanised steel bushes are embedded in a flange on the narrow sides of the base and accept mounting plates, mounting rails, pc boards etc.

The captive stainless steel cover screws are retained by a self-latching element integrated in the cover. The threaded bushes for mounting the cover are also made from stainless steel. The protection class (on the standard enclosure) is ensured by a factory-fitted seal. The polyester enclosures are available as standard in grey (RAL 7000, squirrel grey) or black (RAL 9005, jet black) material.

## Technical data

### Material

Glass fibre-reinforced polyester in grey or black

### Seal

Neoprene (CR) round cord (siliconized)

### Cover screws

Stainless steel, captive, cross recessed head

Optionally:

Socket head cap screws, stainless steel, captive

### Colour

RAL 7000 (squirrel grey) bzw. RAL 9005 (jet black)

Other colours (coating or dyeing) available on request for large quantities.

### Temperature range of CP enclosures

-60°C to +165°C



### Temperature range of seals

-30°C to +80°C (Neoprene seal)

Optionally:

-60°C to +130°C (silicone seal) or

-35°C to +100°C (EPDM seal)

### Protection class

IP 66

IP 67 on request

### Approbations

Germanischer Lloyd

c UL us

c CSA us

ATEX

Label on demand



			Polyester enclosure (grey)		Polyester enclosure (black)	
Dimensions/mm			Article number	Type	Article number	Type
L	x B	x H				
80	x 75	x 55	4140000000	CP-140	5140000000	CPS-140
80	x 75	x 75	4140000050	CP-145	5140000050	CPS-145
110	x 75	x 55	4150000000	CP-150	5150000000	CPS-150
110	x 75	x 75	4150000050	CP-155	5150000050	CPS-155
160	x 75	x 55	4170000000	CP-170	5170000000	CPS-170
160	x 75	x 75	4170000050	CP-175	5170000050	CPS-175
190	x 75	x 55	4190000000	CP-190	5190000000	CPS-190
190	x 75	x 75	4190000050	CP-195	5190000050	CPS-195
122	x 120	x 90	4220000000	CP-220	5220000000	CPS-220
220	x 120	x 90	4240000000	CP-240	5240000000	CPS-240
160	x 160	x 90	4280000000	CP-280	5280000000	CPS-280
260	x 160	x 90	4300000000	CP-300	5300000000	CPS-300
360	x 160	x 90	4320000000	CP-320	5320000000	CPS-320
560	x 160	x 90	4330000000	CP-330	5330000000	CPS-330
255	x 250	x 120	4370000000	CP-370	5370000000	CPS-370
400	x 250	x 120	4400000000	CP-400	5400000000	CPS-400
400	x 405	x 120	4450000000	CP-450	5450000000	CPS-450
400	x 405	x 165	4460000000	CP-460	5460000000	CPS-460

This is just a selection of possible assembly components that BERNSTEIN offers. Contact us, we can incorporate components from all leading manufacturers to satisfy your individual demand. You find further information about "System solutions" on page 12.



### Mounting plates

made from galvanised steel plate or laminated paper (thickness: CP-140 to CP 195 laminated paper 1.5 mm; CP-220 to CP-320 and CP-370 to CP-460 steel plate 1.5 mm; CP-330 steel plate 2.5 mm) for versatile mounting of built-in components.



### Mounting rails

conforming to Standards TS 15 or TS 32 and TS 35 made from steel; surface treated for accepting terminal blocks.



### Terminal blocks

of all renowned manufacturers are used.



### Earthing bars

made from galvanised steel for combining and connecting PE conductors.



### External mounting brackets

made from metal for mounting enclosures without opening the covers. The brackets are always fitted across the shorter sides of the enclosure.



### External articulated hinges

for hinged mounting of enclosure cover. Opening range of cover approx. 155°. Cast aluminium (painted in RAL 7001 – specific colour according to enclosure specification possible). Machining is required for mounting on enclosures.



### Internal articulated hinges

for hinged mounting of enclosure cover. Opening range of cover approx. 95°. Stainless steel. Machining is required for mounting on enclosures.



### Silicon, EPDM or HF seal

with increased temperature resistance (see indications left side) or to protect sensitive electronic equipment against high-frequency radiation (HF seal). For a conductive connection, grooves and springs of the enclosure must be left blank.



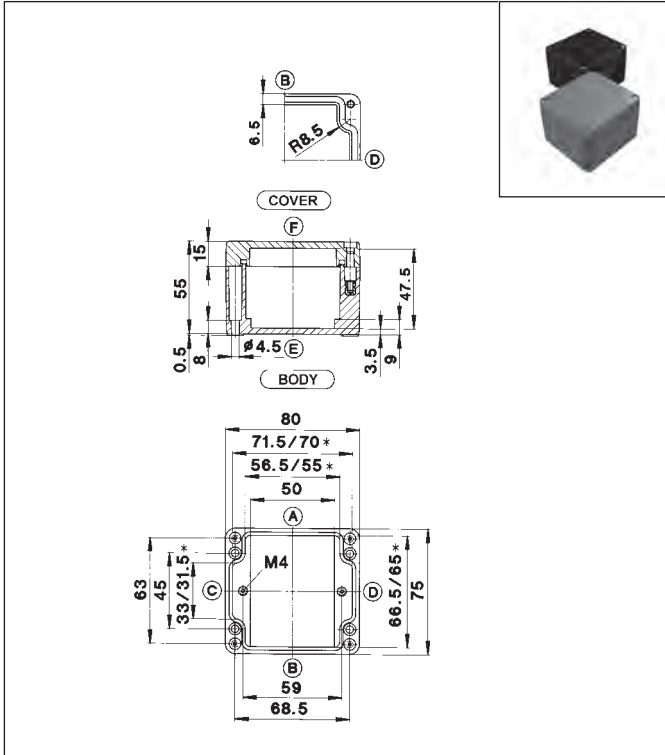
### Cable glands

plastic cable glands (polyamide PAGV-2, RAL 7001) or brass cable glands. Sealing element CR/NBR. Temperature range: -20°C to +100°C. Other cable glands on demand.



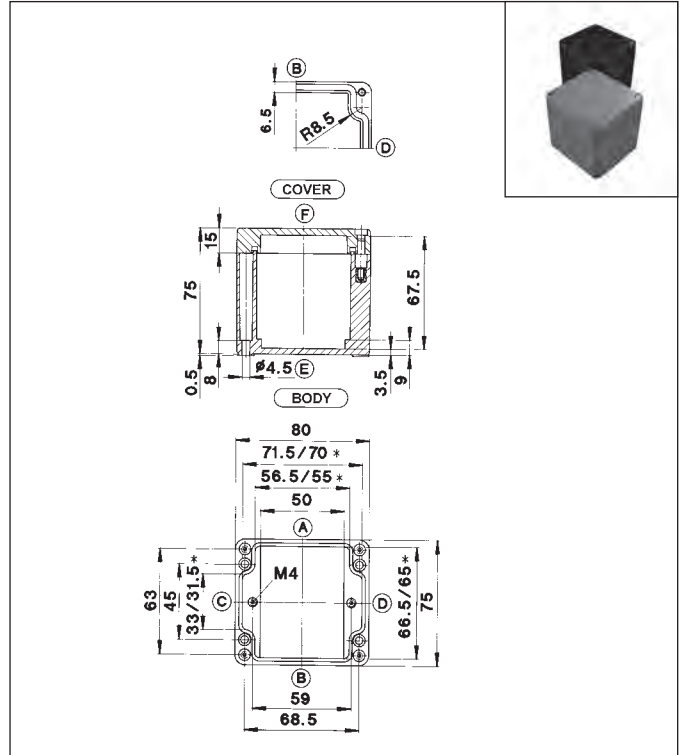
**80 x 75 x 55 mm**

CP-140 RAL 7000 (squirrel grey)  
CPS-140 RAL 9005 (jet black)



**80 x 75 x 75 mm**

CP-145 RAL 7000 (squirrel grey)  
CPS-145 RAL 9005 (jet black)



\* Smaller dimension at mounting plate support

\* Smaller dimension at mounting plate support

Type	CP-140	CPS-140						
Weight (g)	230	230						
External dimension (mm)	80 x 75 x 55							
<b>Ordering data</b> Enclosure with seal (CR)	<b>Part number</b>							
RAL 7000 (squirrel grey), with cover screws	<b>4140000000</b>							
RAL 9005 (jet black), with cover screws	<b>5140000000</b>							
<b>Accessories</b> (individual part or installation kit)								
Mounting plate	<b>9823000000</b>							
Mounting rail TS 15	<b>9820003000</b>							
Mounting rail TS 32	-							
Mounting rail TS 35	-							
Earthing rail	-							
External mounting brackets	<b>9824000000</b>							
External articulated hinges for CP** enclosures	-							
External articulated hinges for CPS** enclosures	-							
Internal articulated hinges with cover guide**	-							
Silicone seal for extended temperature range (by the metre)	<b>on request</b>							
<b>Maximum possible number of threads</b>								
ISO M	12	16	20	25	32	40	50	63
Side A/B	5	2	2	1	0	0	0	0
Side C/D	2	1	1	0	0	0	0	0

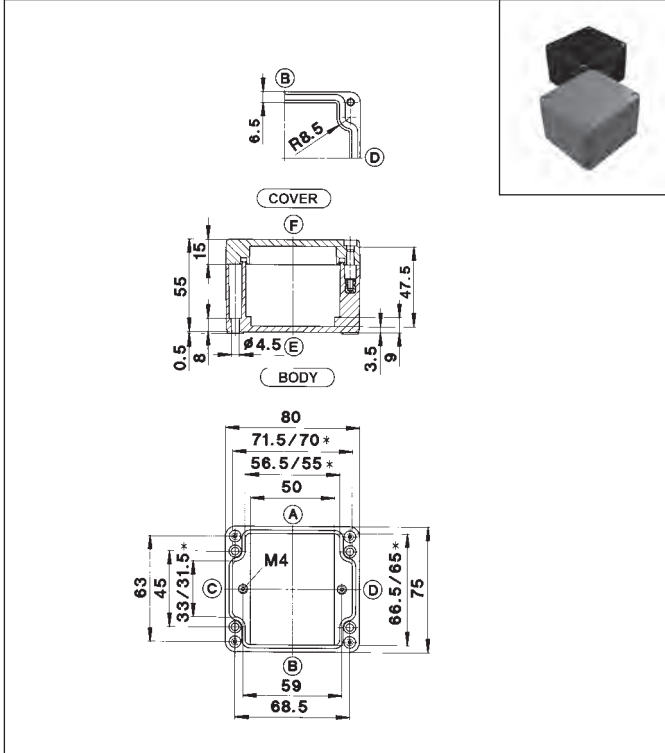
\*\* Enclosure preparation required

Type	CP-145	CPS-145						
Weight (g)	300	300						
External dimension (mm)	80 x 75 x 75							
<b>Ordering data</b> Enclosure with seal (CR)	<b>Part number</b>							
RAL 7000 (squirrel grey), with cover screws	<b>4140000050</b>							
RAL 9005 (jet black), with cover screws	<b>5140000050</b>							
<b>Accessories</b> (individual part or installation kit)								
Mounting plate	<b>9823000000</b>							
Mounting rail TS 15	<b>9820003000</b>							
Mounting rail TS 32	-							
Mounting rail TS 35	-							
Earthing rail	-							
External mounting brackets	<b>9824000000</b>							
External articulated hinges for CP** enclosures	-							
External articulated hinges for CPS** enclosures	-							
Internal articulated hinges with cover guide**	-							
Silicone seal for extended temperature range (by the metre)	<b>on request</b>							
<b>Maximum possible number of threads</b>								
ISO M	12	16	20	25	32	40	50	63
Side A/B	8	4	2	1	1	0	0	0
Side C/D	4	1	1	1	1	0	0	0

\*\* Enclosure preparation required

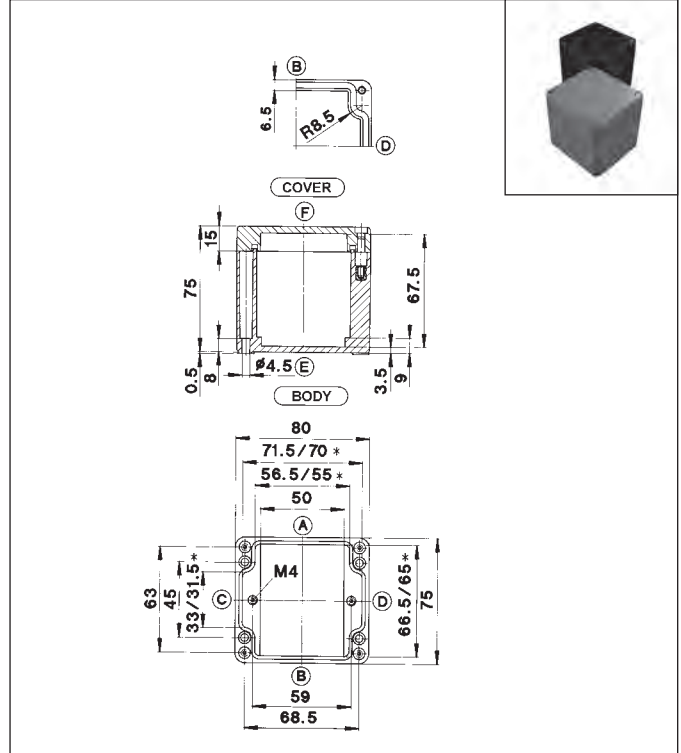
**80 x 75 x 55 mm**

CP-140 RAL 7000 (squirrel grey)  
CPS-140 RAL 9005 (jet black)



**80 x 75 x 75 mm**

CP-145 RAL 7000 (squirrel grey)  
CPS-145 RAL 9005 (jet black)



\* Smaller dimension at mounting plate support

\* Smaller dimension at mounting plate support

Type	CP-140	CPS-140						
Weight (g)	230	230						
External dimension (mm)	80 x 75 x 55							
<b>Ordering data</b> Enclosure with seal (CR)	<b>Part number</b>							
RAL 7000 (squirrel grey), with cover screws	<b>4140000000</b>							
RAL 9005 (jet black), with cover screws	<b>5140000000</b>							
<b>Accessories</b> (individual part or installation kit)								
Mounting plate	<b>9823000000</b>							
Mounting rail TS 15	<b>9820003000</b>							
Mounting rail TS 32	-							
Mounting rail TS 35	-							
Earthing rail	-							
External mounting brackets	<b>9824000000</b>							
External articulated hinges for CP** enclosures	-							
External articulated hinges for CPS** enclosures	-							
Internal articulated hinges with cover guide**	-							
Silicone seal for extended temperature range (by the metre)	<b>on request</b>							
<b>Maximum possible number of threads</b>								
ISO M	12	16	20	25	32	40	50	63
Side A/B	5	2	2	1	0	0	0	0
Side C/D	2	1	1	0	0	0	0	0

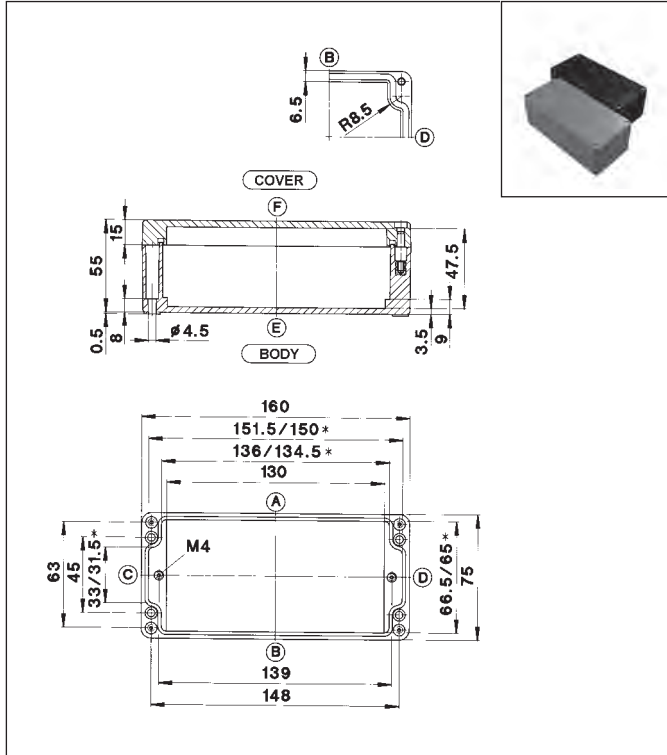
\*\* Enclosure preparation required

Type	CP-145	CPS-145						
Weight (g)	300	300						
External dimension (mm)	80 x 75 x 75							
<b>Ordering data</b> Enclosure with seal (CR)	<b>Part number</b>							
RAL 7000 (squirrel grey), with cover screws	<b>4140000050</b>							
RAL 9005 (jet black), with cover screws	<b>5140000050</b>							
<b>Accessories</b> (individual part or installation kit)								
Mounting plate	<b>9823000000</b>							
Mounting rail TS 15	<b>9820003000</b>							
Mounting rail TS 32	-							
Mounting rail TS 35	-							
Earthing rail	-							
External mounting brackets	<b>9824000000</b>							
External articulated hinges for CP** enclosures	-							
External articulated hinges for CPS** enclosures	-							
Internal articulated hinges with cover guide**	-							
Silicone seal for extended temperature range (by the metre)	<b>on request</b>							
<b>Maximum possible number of threads</b>								
ISO M	12	16	20	25	32	40	50	63
Side A/B	8	4	2	1	1	0	0	0
Side C/D	4	1	1	1	1	0	0	0

\*\* Enclosure preparation required

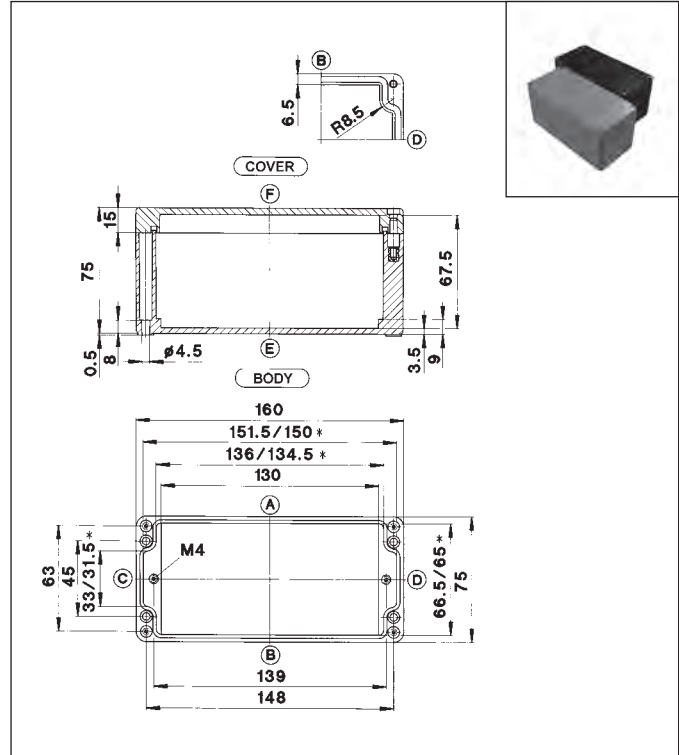
## 160 x 75 x 55 mm

CP-170 RAL 7000 (squirrel grey)  
CPS-170 RAL 9005 (jet black)



## 160 x 75 x 75 mm

CP-175 RAL 7000 (squirrel grey)  
CPS-175 RAL 9005 (jet black)



\* Smaller dimension at mounting plate support

\* Smaller dimension at mounting plate support

Type	CP-170	CPS-170						
Weight (g)	405	405						
External dimension (mm)	160 x 75 x 55							
<b>Ordering data</b> Enclosure with seal (CR)	<b>Part number</b>							
RAL 7000 (squirrel grey), with cover screws	<b>4170000000</b>							
RAL 9005 (jet black), with cover screws	<b>5170000000</b>							
<b>Accessories</b> (individual part or installation kit)								
Mounting plate	<b>9823002000</b>							
Mounting rail TS 15	<b>9820012000</b>							
Mounting rail TS 32	-							
Mounting rail TS 35	-							
Earthing rail	-							
External mounting brackets	<b>9824000000</b>							
External articulated hinges for CP** enclosures	-							
External articulated hinges for CPS** enclosures	-							
Internal articulated hinges with cover guide**	-							
Silicone seal for extended temperature range (by the metre)	<b>on request</b>							
<b>Maximum possible number of threads</b>								
ISO M	12	16	20	25	32	40	50	63
Side A/B	12	5	4	3	0	0	0	0
Side C/D	2	1	1	0	0	0	0	0

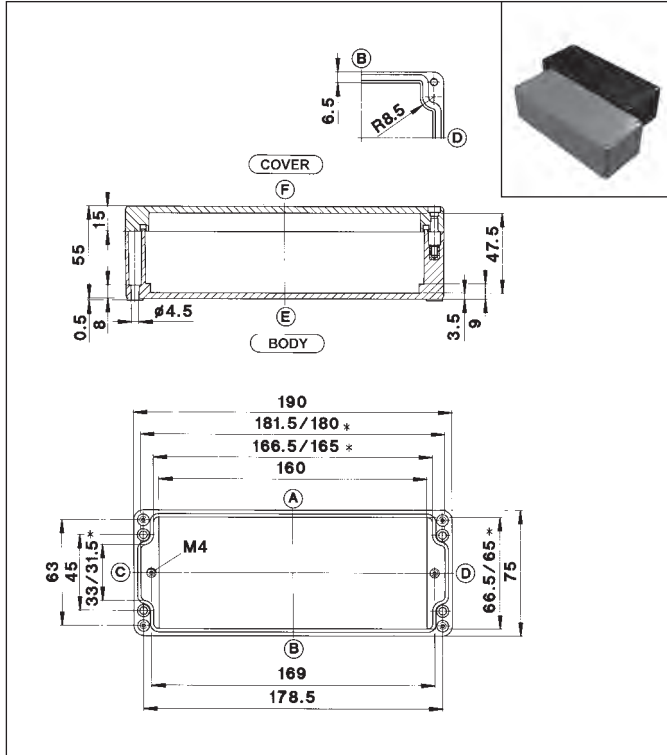
\*\* Enclosure preparation required

Type	CP-175	CPS-175						
Weight (g)	460	460						
External dimension (mm)	160 x 75 x 75							
<b>Ordering data</b> Enclosure with seal (CR)	<b>Part number</b>							
RAL 7000 (squirrel grey), with cover screws	<b>4170000050</b>							
RAL 9005 (jet black), with cover screws	<b>5170000050</b>							
<b>Accessories</b> (individual part or installation kit)								
Mounting plate	<b>9823002000</b>							
Mounting rail TS 15	<b>9820012000</b>							
Mounting rail TS 32	-							
Mounting rail TS 35	-							
Earthing rail	-							
External mounting brackets	<b>9824000000</b>							
External articulated hinges for CP** enclosures	-							
External articulated hinges for CPS** enclosures	-							
Internal articulated hinges with cover guide**	-							
Silicone seal for extended temperature range (by the metre)	<b>on request</b>							
<b>Maximum possible number of threads</b>								
ISO M	12	16	20	25	32	40	50	63
Side A/B	18	10	6	4	3	0	0	0
Side C/D	4	1	1	1	1	0	0	0

\*\* Enclosure preparation required

**190 x 75 x 55 mm**

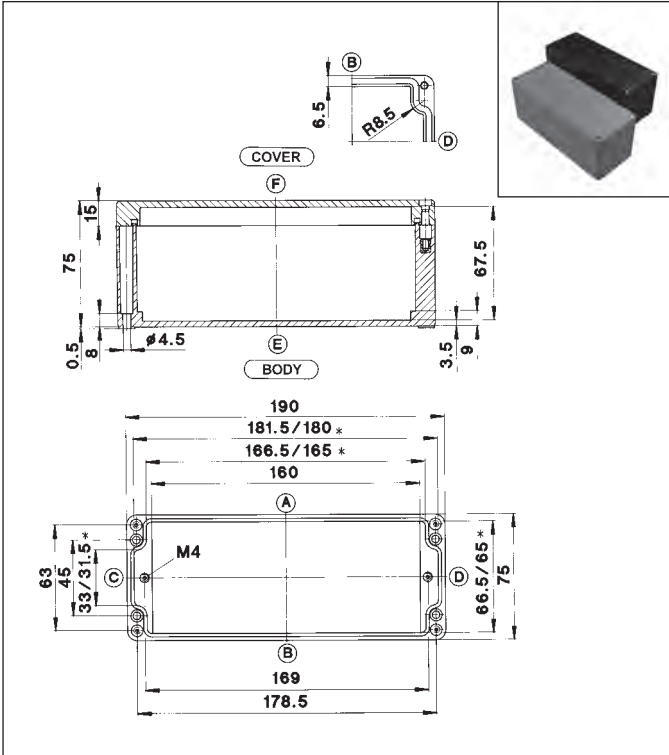
CP-190 RAL 7000 (squirrel grey)  
CPS-190 RAL 9005 (jet black)



\* Smaller dimension at mounting plate support

**190 x 75 x 75 mm**

CP-195 RAL 7000 (squirrel grey)  
CPS-195 RAL 9005 (jet black)



\* Smaller dimension at mounting plate support

Type	CP-190	CPS-190						
Weight (g)	450	450						
External dimension (mm)	190 x 75 x 55							
<b>Ordering data</b> Enclosure with seal (CR)	<b>Part number</b>							
RAL 7000 (squirrel grey), with cover screws	<b>4190000000</b>							
RAL 9005 (jet black), with cover screws	<b>5190000000</b>							
<b>Accessories</b> (individual part or installation kit)								
Mounting plate	<b>9823003000</b>							
Mounting rail TS 15	<b>9820015000</b>							
Mounting rail TS 32	-							
Mounting rail TS 35	-							
Earthing rail	-							
External mounting brackets	<b>9824000000</b>							
External articulated hinges for CP** enclosures	-							
External articulated hinges for CPS** enclosures	-							
Internal articulated hinges with cover guide**	-							
Silicone seal for extended temperature range (by the metre)	<b>on request</b>							
<b>Maximum possible number of threads</b>								
ISO M	12	16	20	25	32	40	50	63
Side A/B	16	7	5	4	0	0	0	0
Side C/D	2	1	1	0	0	0	0	0

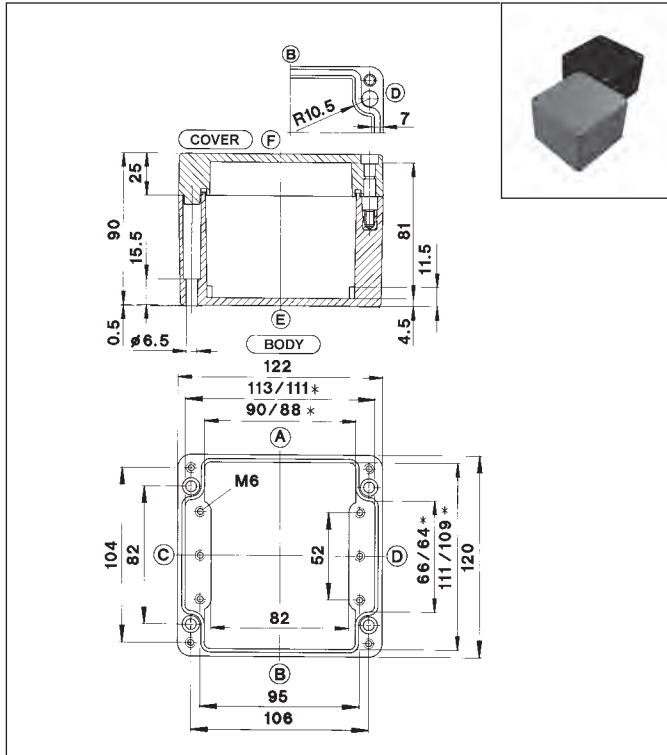
\*\* Enclosure preparation required

Type	CP-195	CPS-195						
Weight (g)	530	530						
External dimension (mm)	190 x 75 x 75							
<b>Ordering data</b> Enclosure with seal (CR)	<b>Part number</b>							
RAL 7000 (squirrel grey), with cover screws	<b>4190000050</b>							
RAL 9005 (jet black), with cover screws	<b>5190000050</b>							
<b>Accessories</b> (individual part or installation kit)								
Mounting plate	<b>9823003000</b>							
Mounting rail TS 15	<b>9820015000</b>							
Mounting rail TS 32	-							
Mounting rail TS 35	-							
Earthing rail	-							
External mounting brackets	<b>9824000000</b>							
External articulated hinges for CP** enclosures	-							
External articulated hinges for CPS** enclosures	-							
Internal articulated hinges with cover guide**	-							
Silicone seal for extended temperature range (by the metre)	<b>on request</b>							
<b>Maximum possible number of threads</b>								
ISO M	12	16	20	25	32	40	50	63
Side A/B	24	12	8	4	3	0	0	0
Side C/D	4	1	1	1	1	0	0	0

\*\* Enclosure preparation required

## 122 x 120 x 90 mm

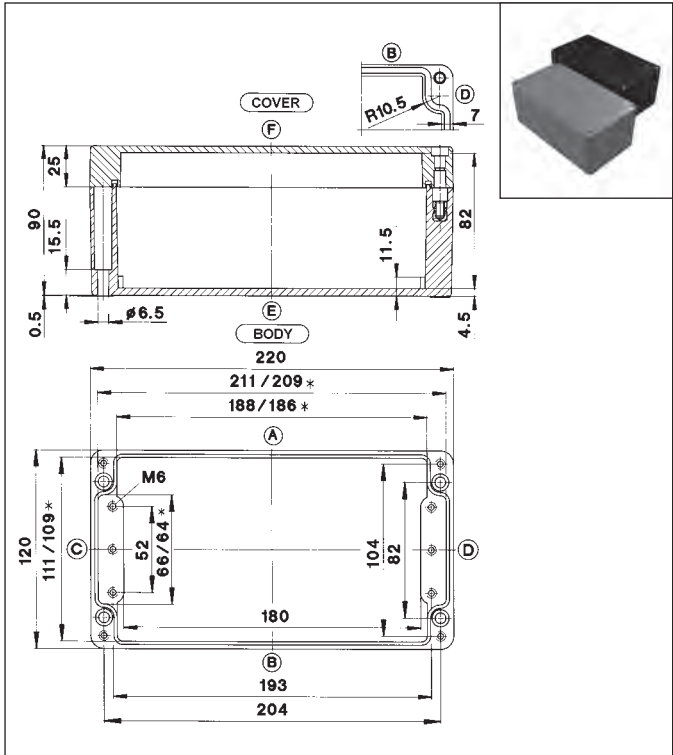
CP-220 RAL 7000 (squirrel grey)  
CPS-220 RAL 9005 (jet black)



\* Smaller dimension at mounting plate support

## 220 x 120 x 90 mm

CP-240 RAL 7000 (squirrel grey)  
CPS-240 RAL 9005 (jet black)



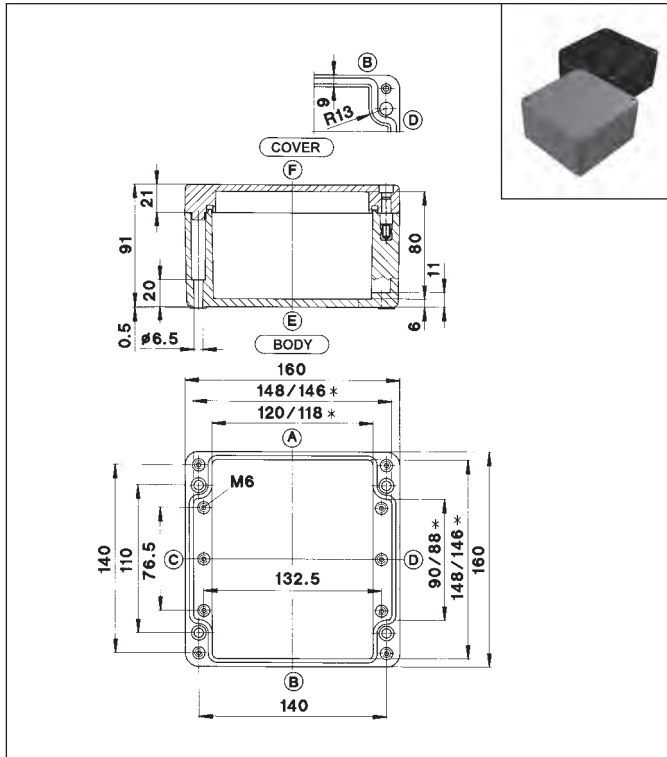
\* Smaller dimension at mounting plate support

Type	CP-220	CPS-220						
Weight (g)	750	750						
External dimension (mm)	122 x 120 x 90							
<b>Ordering data</b> Enclosure with seal (CR)	<b>Part number</b>							
RAL 7000 (squirrel grey), with cover screws	<b>4220000000</b>							
RAL 9005 (jet black), with cover screws	<b>5220000000</b>							
<b>Accessories</b> (individual part or installation kit)								
Mounting plate	<b>9823004000</b>							
Mounting rail TS 15	-							
Mounting rail TS 32	<b>9821000000</b>							
Mounting rail TS 35	<b>9822001000</b>							
Earthing rail	<b>9810002000</b>							
External mounting brackets	<b>9824001000</b>							
External articulated hinges for CP** enclosures	<b>9801045000</b>							
External articulated hinges for CPS** enclosures	<b>9801046000</b>							
Internal articulated hinges with cover guide**	-							
Silicone seal for extended temperature range (by the metre)	<b>on request</b>							
<b>Maximum possible number of threads</b>								
ISO M	12	16	20	25	32	40	50	63
Side A/B	13	6	4	3	2	1	0	0
Side C/D	6	3	2	2	1	0	0	0
** Enclosure preparation required								

Type	CP-240	CPS-240						
Weight (g)	1060	1060						
External dimension (mm)	220 x 120 x 90							
<b>Ordering data</b> Enclosure with seal (CR)	<b>Part number</b>							
RAL 7000 (squirrel grey), with cover screws	<b>4240000000</b>							
RAL 9005 (jet black), with cover screws	<b>5240000000</b>							
<b>Accessories</b> (individual part or installation kit)								
Mounting plate	<b>9823005000</b>							
Mounting rail TS 15	-							
Mounting rail TS 32	<b>9821005000</b>							
Mounting rail TS 35	<b>9822007000</b>							
Earthing rail	<b>9810008000</b>							
External mounting brackets	<b>9824001000</b>							
External articulated hinges for CP** enclosures	<b>9801045000</b>							
External articulated hinges for CPS** enclosures	<b>9801046000</b>							
Internal articulated hinges with cover guide**	-							
Silicone seal for extended temperature range (by the metre)	<b>on request</b>							
<b>Maximum possible number of threads</b>								
ISO M	12	16	20	25	32	40	50	63
Side A/B	27	12	9	6	4	3	0	0
Side C/D	6	3	2	2	1	0	0	0
** Enclosure preparation required								

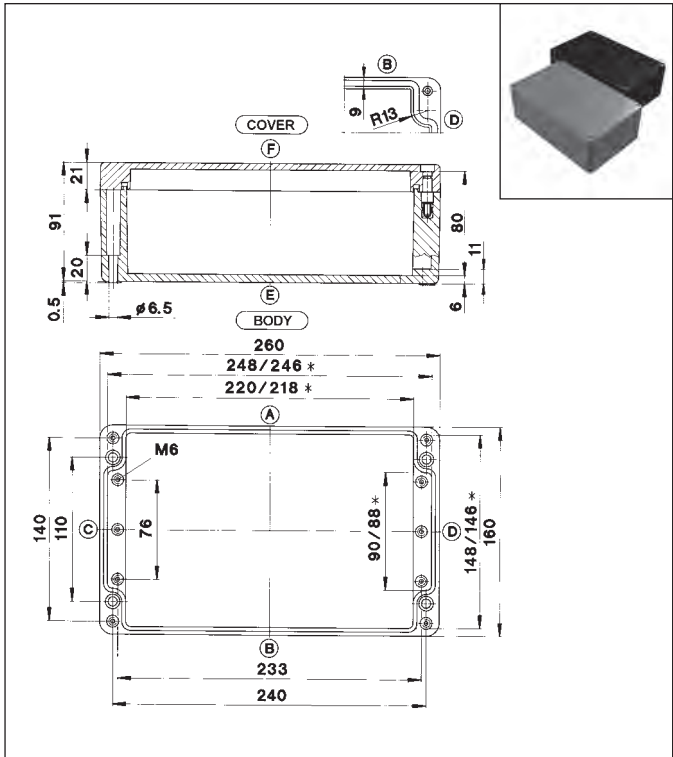
**160 x 160 x 91 mm**

CP-280 RAL 7000 (squirrel grey)  
CPS-280 RAL 9005 (jet black)



**260 x 160 x 91 mm**

CP-300 RAL 7000 (squirrel grey)  
CPS-300 RAL 9005 (jet black)



\* Smaller dimension at mounting plate support

\* Smaller dimension at mounting plate support

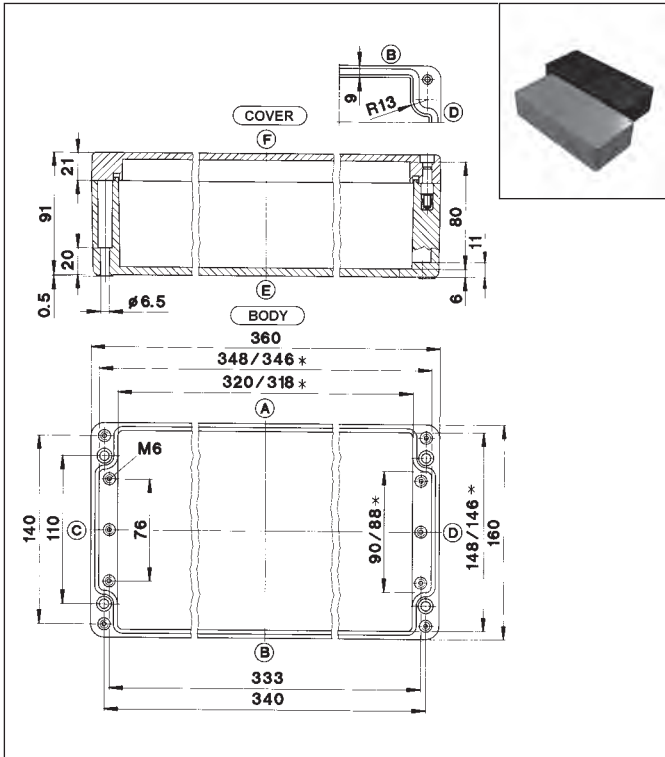
Type	CP-280	CPS-280
Weight (g)	1130	1130
External dimension (mm)	160 x 160 x 91	
<b>Ordering data</b> Enclosure with seal (CR)	<b>Part number</b>	
RAL 7000 (squirrel grey), with cover screws	<b>4280000000</b>	
RAL 9005 (jet black), with cover screws	<b>5280000000</b>	
<b>Accessories</b> (individual part or installation kit)		
Mounting plate	<b>9823006000</b>	
Mounting rail TS 15	-	
Mounting rail TS 32	<b>9821002000</b>	
Mounting rail TS 35	<b>9822003000</b>	
Earthing rail	<b>9810004000</b>	
External mounting brackets	<b>9824004000</b>	
External articulated hinges for CP** enclosures	<b>9801045000</b>	
External articulated hinges for CPS** enclosures	<b>9801046000</b>	
Internal articulated hinges with cover guide**	<b>9801032000</b>	
Silicone seal for extended temperature range (by the metre)	<b>on request</b>	
<b>Maximum possible number of threads</b>		
ISO M	12	16 20 25 32 40 50 63
Side A/B	18	8 6 4 2 2 1 0
Side C/D	9	4 3 2 2 1 0 0
** Enclosure preparation required		

Type	CP-300	CPS-300
Weight (g)	1710	1710
External dimension (mm)	260 x 160 x 91	
<b>Ordering data</b> Enclosure with seal (CR)	<b>Part number</b>	
RAL 7000 (squirrel grey), with cover screws	<b>4300000000</b>	
RAL 9005 (jet black), with cover screws	<b>5300000000</b>	
<b>Accessories</b> (individual part or installation kit)		
Mounting plate	<b>9823007000</b>	
Mounting rail TS 15	-	
Mounting rail TS 32	<b>9821008000</b>	
Mounting rail TS 35	<b>9822011000</b>	
Earthing rail	<b>9810010000</b>	
External mounting brackets	<b>9824004000</b>	
External articulated hinges for CP** enclosures	<b>9801045000</b>	
External articulated hinges for CPS** enclosures	<b>9801046000</b>	
Internal articulated hinges with cover guide**	<b>9801032000</b>	
Silicone seal for extended temperature range (by the metre)	<b>on request</b>	
<b>Maximum possible number of threads</b>		
ISO M	12	16 20 25 32 40 50 63
Side A/B	33	15 12 8 4 3 3 0
Side C/D	9	4 3 2 2 1 0 0
** Enclosure preparation required		



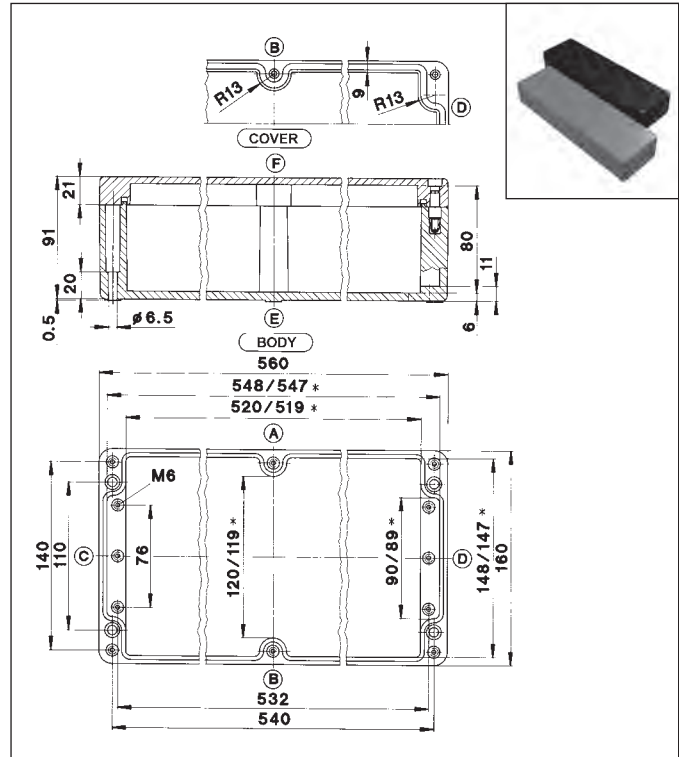
**360 x 160 x 91 mm**

CP-320 RAL 7000 (squirrel grey)  
CPS-320 RAL 9005 (jet black)



**560 x 160 x 91 mm**

CP-330 RAL 7000 (squirrel grey)  
CPS-330 RAL 9005 (jet black)



\* Smaller dimension at mounting plate support

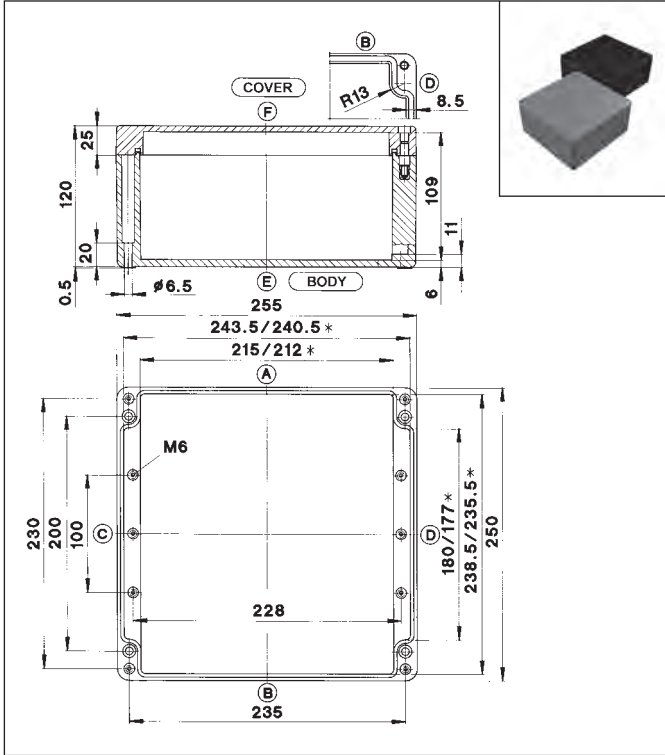
\* Smaller dimension at mounting plate support

Type	CP-320	CPS-320						
Weight (g)	2150	2150						
External dimension (mm)	360 x 160 x 91							
<b>Ordering data</b> Enclosure with seal (CR)	<b>Part number</b>							
RAL 7000 (squirrel grey), with cover screws	<b>4320000000</b>							
RAL 9005 (jet black), with cover screws	<b>5320000000</b>							
<b>Accessories</b> (individual part or installation kit)								
Mounting plate	<b>9823008000</b>							
Mounting rail TS 15	-							
Mounting rail TS 32	<b>9821012000</b>							
Mounting rail TS 35	<b>9822015000</b>							
Earthing rail	<b>9810014000</b>							
External mounting brackets	<b>9824004000</b>							
External articulated hinges for CP** enclosures	<b>9801045000</b>							
External articulated hinges for CPS** enclosures	<b>9801046000</b>							
Internal articulated hinges with cover guide**	<b>9801032000</b>							
Silicone seal for extended temperature range (by the metre)	<b>on request</b>							
<b>Maximum possible number of threads</b>								
ISO M	12	16	20	25	32	40	50	63
Side A/B	48	23	18	11	7	5	4	0
Side C/D	9	4	3	2	2	1	0	0
** Enclosure preparation required								

Type	CP-330	CPS-330						
Weight (g)	3185	3185						
External dimension (mm)	560 x 160 x 91							
<b>Ordering data</b> Enclosure with seal (CR)	<b>Part number</b>							
RAL 7000 (squirrel grey), with cover screws	<b>4330000000</b>							
RAL 9005 (jet black), with cover screws	<b>5330000000</b>							
<b>Accessories</b> (individual part or installation kit)								
Mounting plate	<b>9823085000</b>							
Mounting rail TS 15	-							
Mounting rail TS 32	<b>9821015000</b>							
Mounting rail TS 35	<b>9822018000</b>							
Earthing rail	<b>9810016000</b>							
External mounting brackets	<b>9824004000</b>							
External articulated hinges for CP** enclosures	<b>9801045000</b>							
External articulated hinges for CPS** enclosures	<b>9801046000</b>							
Internal articulated hinges with cover guide**	<b>9801032000</b>							
Silicone seal for extended temperature range (by the metre)	<b>on request</b>							
<b>Maximum possible number of threads</b>								
ISO M	12	16	20	25	32	40	50	63
Side A/B	76	40	28	18	10	8	6	0
Side C/D	9	4	3	2	2	1	0	0
** Enclosure preparation required								

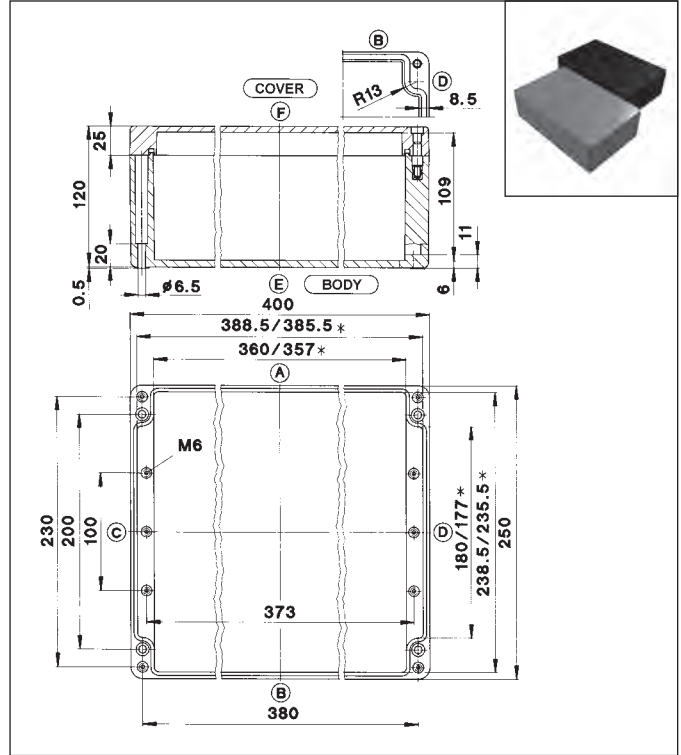
**255 x 250 x 120 mm**

CP-370 RAL 7000 (squirrel grey)  
CPS-370 RAL 9005 (jet black)



**400 x 250 x 120 mm**

CP-400 RAL 7000 (squirrel grey)  
CPS-400 RAL 9005 (jet black)



\* Smaller dimension at mounting plate support

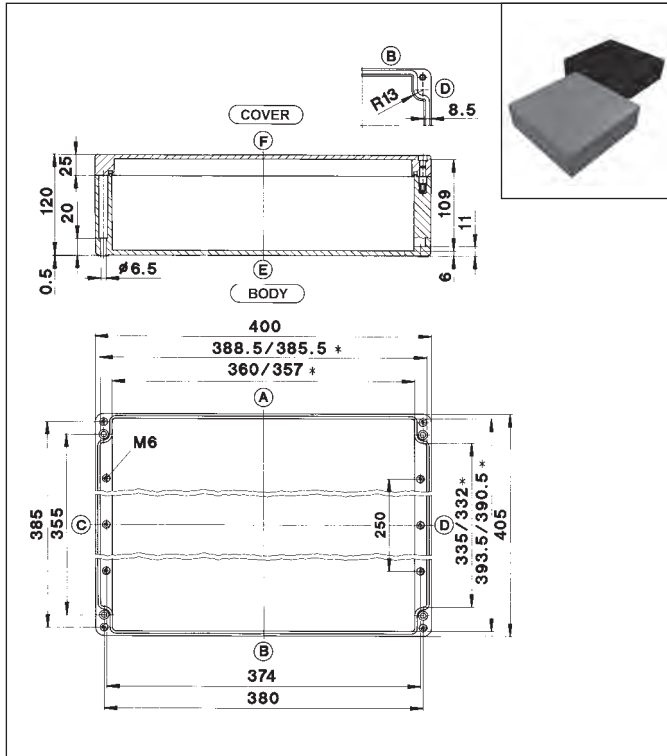
\* Smaller dimension at mounting plate support

Type	CP-370	CPS-370						
Weight (g)	2650	2650						
External dimension (mm)	255 x 250 x 120							
<b>Ordering data</b> Enclosure with seal (CR)	<b>Part number</b>							
RAL 7000 (squirrel grey), with cover screws	<b>4370000000</b>							
RAL 9005 (jet black), with cover screws	<b>5370000000</b>							
<b>Accessories</b> (individual part or installation kit)								
Mounting plate	<b>9823009000</b>							
Mounting rail TS 15	-							
Mounting rail TS 32	<b>9821007000</b>							
Mounting rail TS 35	<b>9822010000</b>							
Earthing rail	<b>9810035000</b>							
External mounting brackets	<b>9824011000</b>							
External articulated hinges for CP** enclosures	<b>9801045000</b>							
External articulated hinges for CPS** enclosures	<b>9801046000</b>							
Internal articulated hinges with cover guide**	<b>9801032000</b>							
Silicone seal for extended temperature range (by the metre)	<b>on request</b>							
<b>Maximum possible number of threads</b>								
ISO M	12	16	20	25	32	40	50	63
Side A/B	42	23	17	11	7	4	3	3
Side C/D	32	14	10	16	4	3	2	2
** Enclosure preparation required								

Type	CP-400	CPS-400						
Weight (g)	3650	3650						
External dimension (mm)	400 x 250 x 120							
<b>Ordering data</b> Enclosure with seal (CR)	<b>Part number</b>							
RAL 7000 (squirrel grey), with cover screws	<b>4400000000</b>							
RAL 9005 (jet black), with cover screws	<b>5400000000</b>							
<b>Accessories</b> (individual part or installation kit)								
Mounting plate	<b>9823010000</b>							
Mounting rail TS 15	-							
Mounting rail TS 32	<b>9821014000</b>							
Mounting rail TS 35	<b>9822017000</b>							
Earthing rail	<b>9810015000</b>							
External mounting brackets	<b>9824011000</b>							
External articulated hinges for CP** enclosures	<b>9801045000</b>							
External articulated hinges for CPS** enclosures	<b>9801046000</b>							
Internal articulated hinges with cover guide**	<b>9801032000</b>							
Silicone seal for extended temperature range (by the metre)	<b>on request</b>							
<b>Maximum possible number of threads</b>								
ISO M	12	16	20	25	32	40	50	63
Side A/B	74	38	27	17	13	6	5	4
Side C/D	32	14	10	8	4	3	2	2
** Enclosure preparation required								

## 400 x 405 x 120 mm

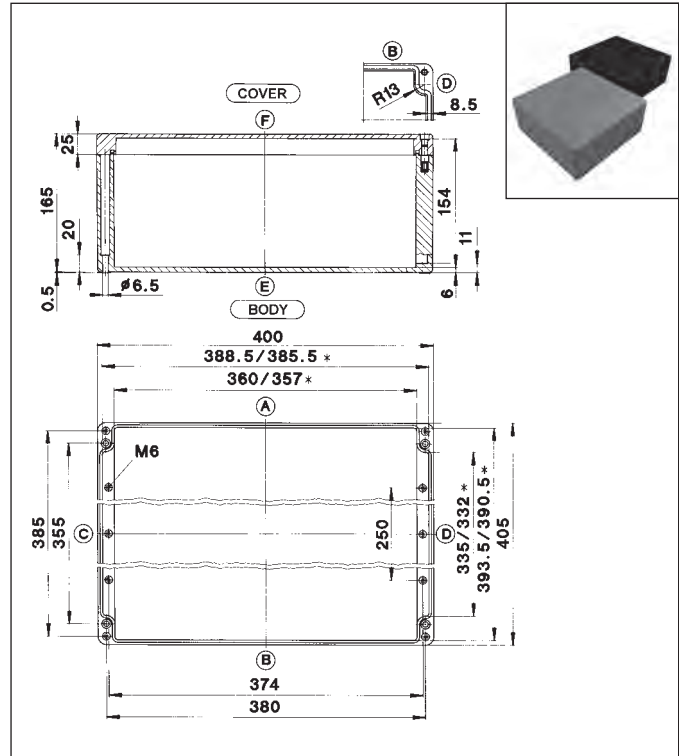
CP-450 RAL 7000 (squirrel grey)  
CPS-450 RAL 9005 (jet black)



\* Smaller dimension at mounting plate support

## 400 x 405 x 165 mm

CP-460 RAL 7000 (squirrel grey)  
CPS-460 RAL 9005 (jet black)



\* Smaller dimension at mounting plate support

Type	CP-450	CPS-450						
Weight (g)	5580	5580						
External dimension (mm)	400 x 405 x 120							
<b>Ordering data</b> Enclosure with seal (CR)	<b>Part number</b>							
RAL 7000 (squirrel grey), with cover screws	<b>4450000000</b>							
RAL 9005 (jet black), with cover screws	<b>5450000000</b>							
<b>Accessories</b> (individual part or installation kit)								
Mounting plate	<b>9823011000</b>							
Mounting rail TS 15	-							
Mounting rail TS 32	<b>9821014000</b>							
Mounting rail TS 35	<b>9822017000</b>							
Earthing rail	<b>9810015000</b>							
External mounting brackets	<b>9824012000</b>							
External articulated hinges for CP** enclosures	<b>9801045000</b>							
External articulated hinges for CPS** enclosures	<b>9801046000</b>							
Internal articulated hinges with cover guide**	<b>9801032000</b>							
Silicone seal for extended temperature range (by the metre)	<b>on request</b>							
<b>Maximum possible number of threads</b>								
ISO M	12	16	20	25	32	40	50	63
Side A/B	74	38	27	17	13	6	5	4
Side C/D	57	29	20	15	7	5	4	4

\*\* Enclosure preparation required

Type	CP-460	CPS-460						
Weight (g)	7740	7740						
External dimension (mm)	400 x 405 x 165							
<b>Ordering data</b> Enclosure with seal (CR)	<b>Part number</b>							
RAL 7000 (squirrel grey), with cover screws	<b>4460000000</b>							
RAL 9005 (jet black), with cover screws	<b>5460000000</b>							
<b>Accessories</b> (individual part or installation kit)								
Mounting plate	<b>9823011000</b>							
Mounting rail TS 15	-							
Mounting rail TS 32	<b>9821014000</b>							
Mounting rail TS 35	<b>9822017000</b>							
Earthing rail	<b>9810015000</b>							
External mounting brackets	<b>9824012000</b>							
External articulated hinges for CP** enclosures	<b>9801045000</b>							
External articulated hinges for CPS** enclosures	<b>9801046000</b>							
Internal articulated hinges with cover guide**	<b>9801032000</b>							
Silicone seal for extended temperature range (by the metre)	<b>on request</b>							
<b>Maximum possible number of threads</b>								
ISO M	12	16	20	25	32	40	50	63
Side A/B	105	56	40	27	20	10	9	8
Side C/D	92	45	30	23	12	9	6	5

\*\* Enclosure preparation required